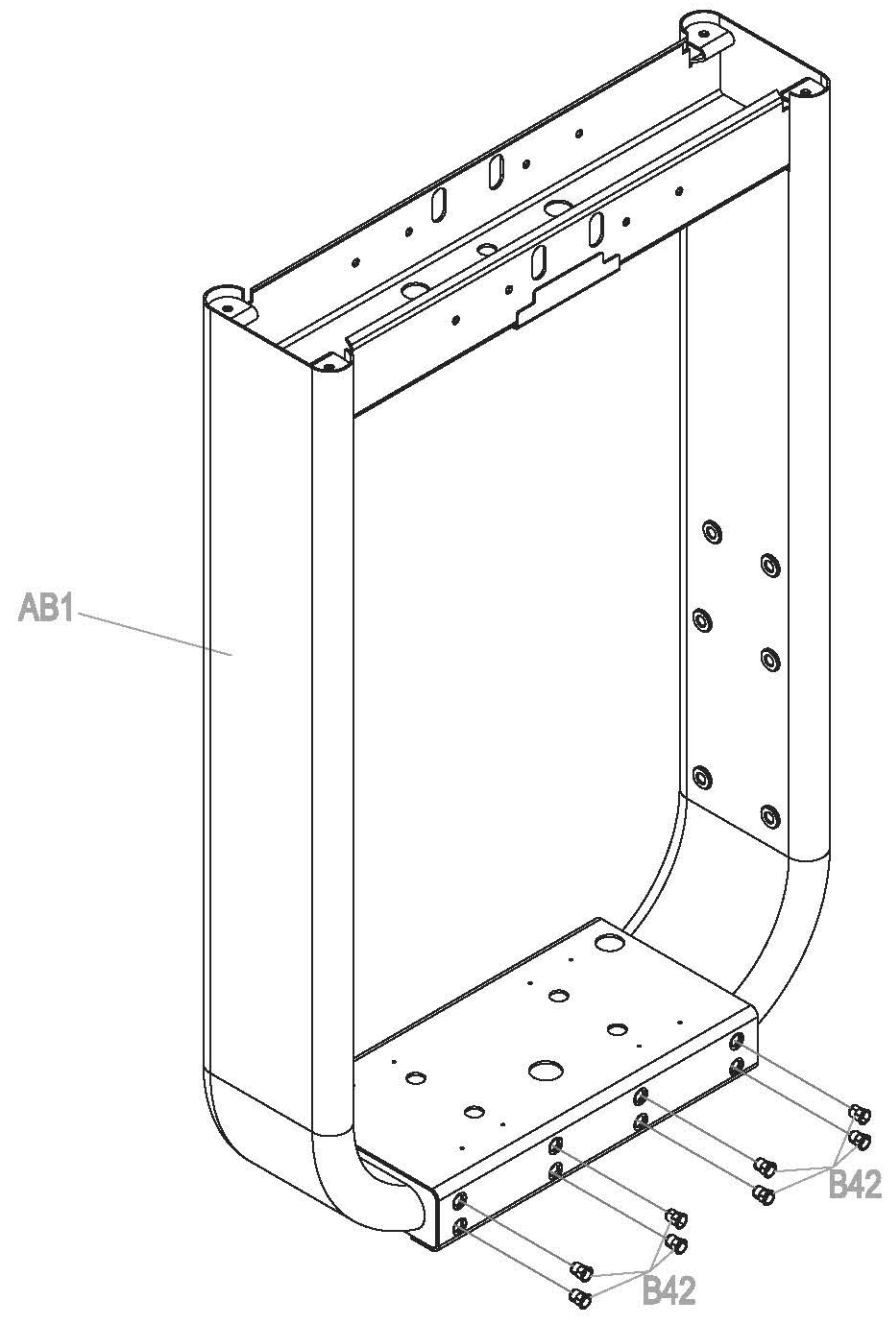
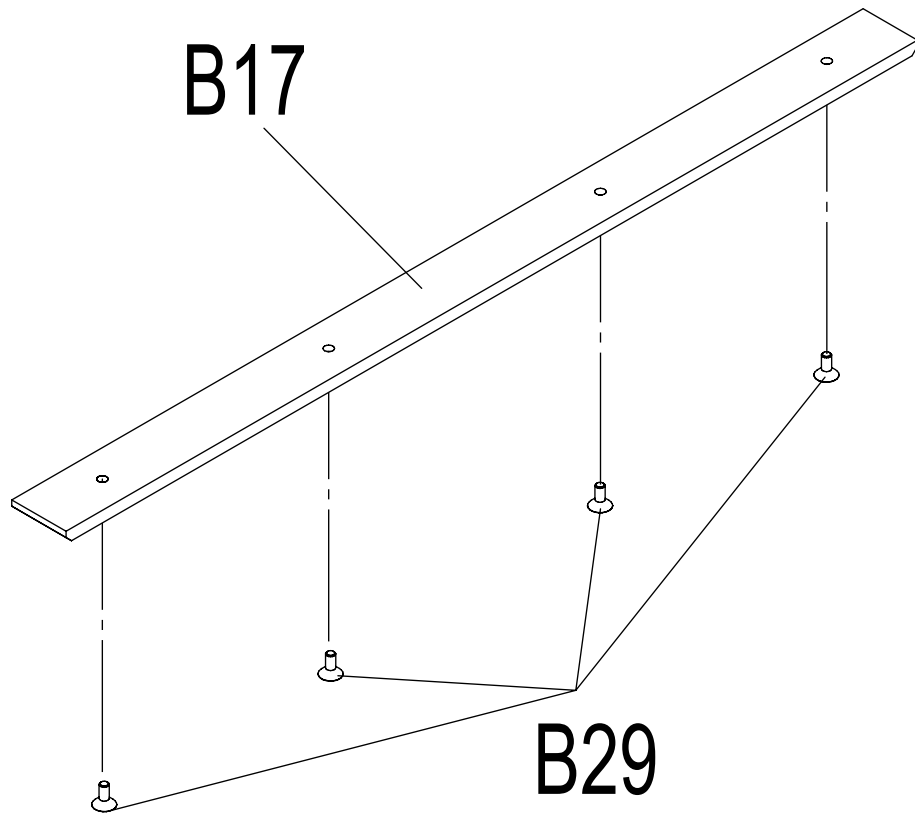


DRAWING NO			
PART NAME	Frame Set		
PART NO	096091	REV	A
APPROVE	GUIBIN	DATE	20101214

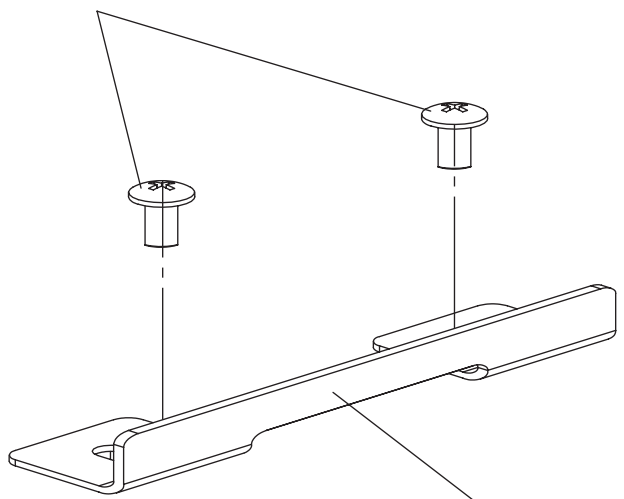


DRAWING NO			
PART NAME	Fixing Plate;D		
PART NO	1000108348	REV	A
APPROVE	GUIBIN	DATE	20101214



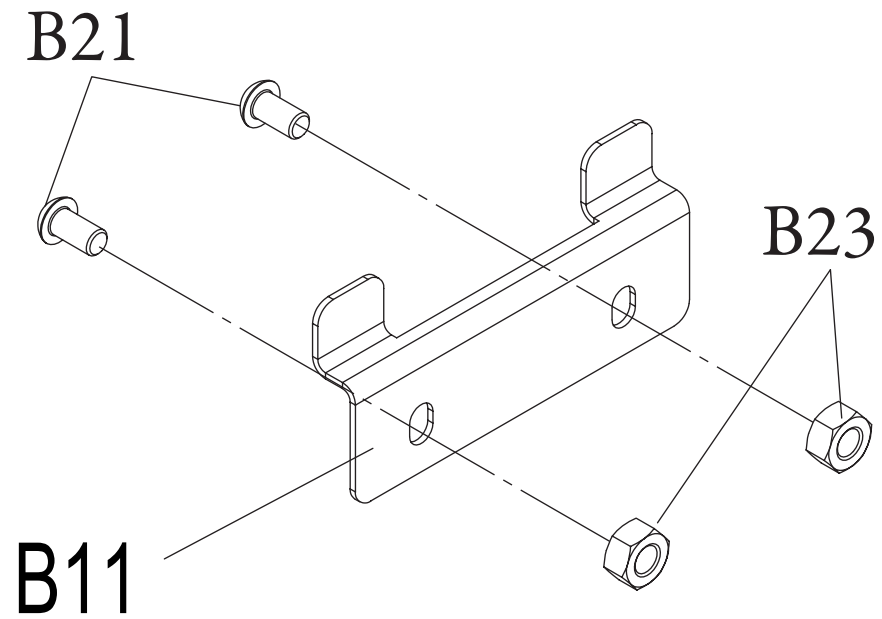
DRAWING NO			
PART NAME	Down Cover;Fixing Frame		
PART NO	1000104014	REV	A
APPROVE	GUIBIN	DATE	20101214

B28

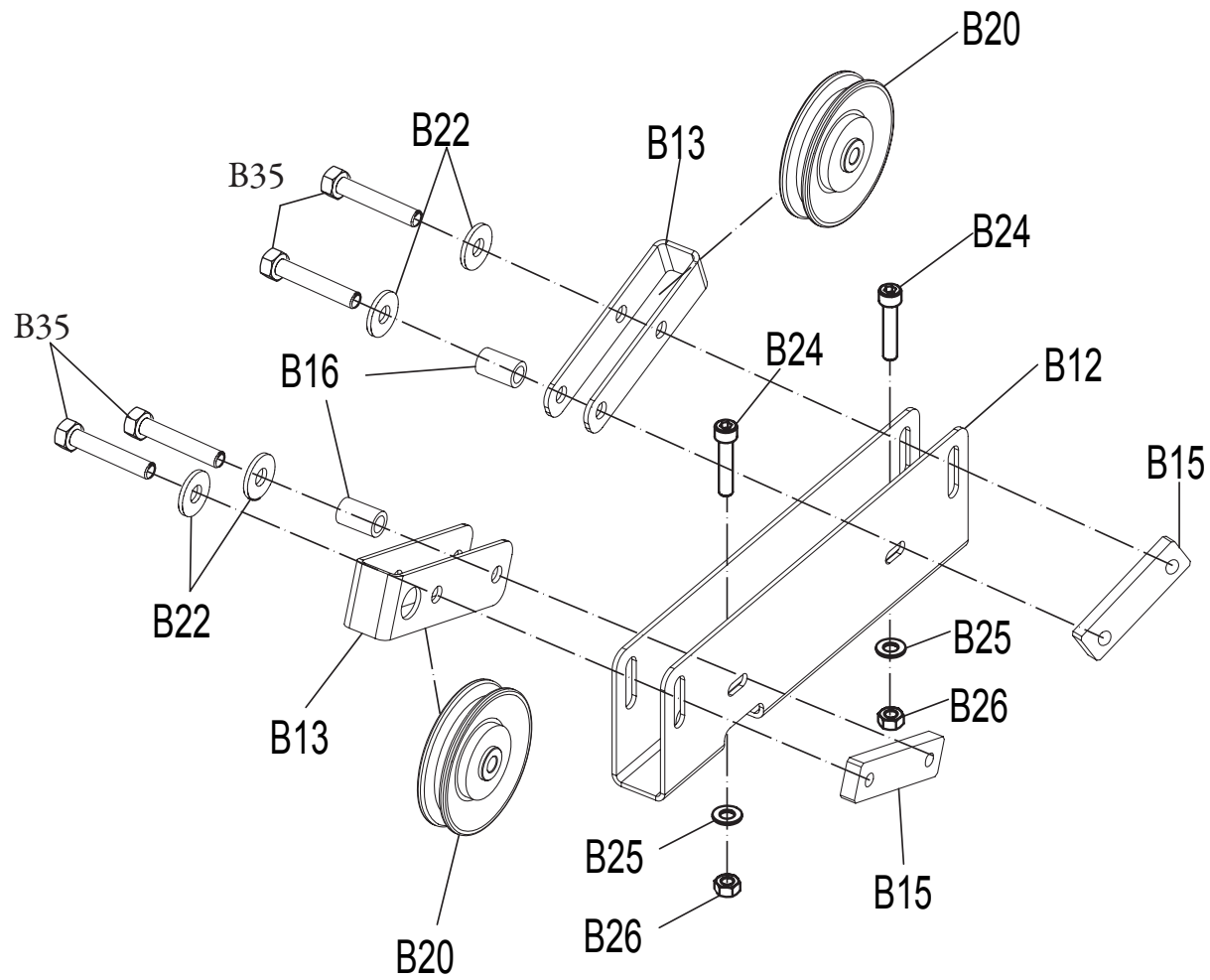


B10

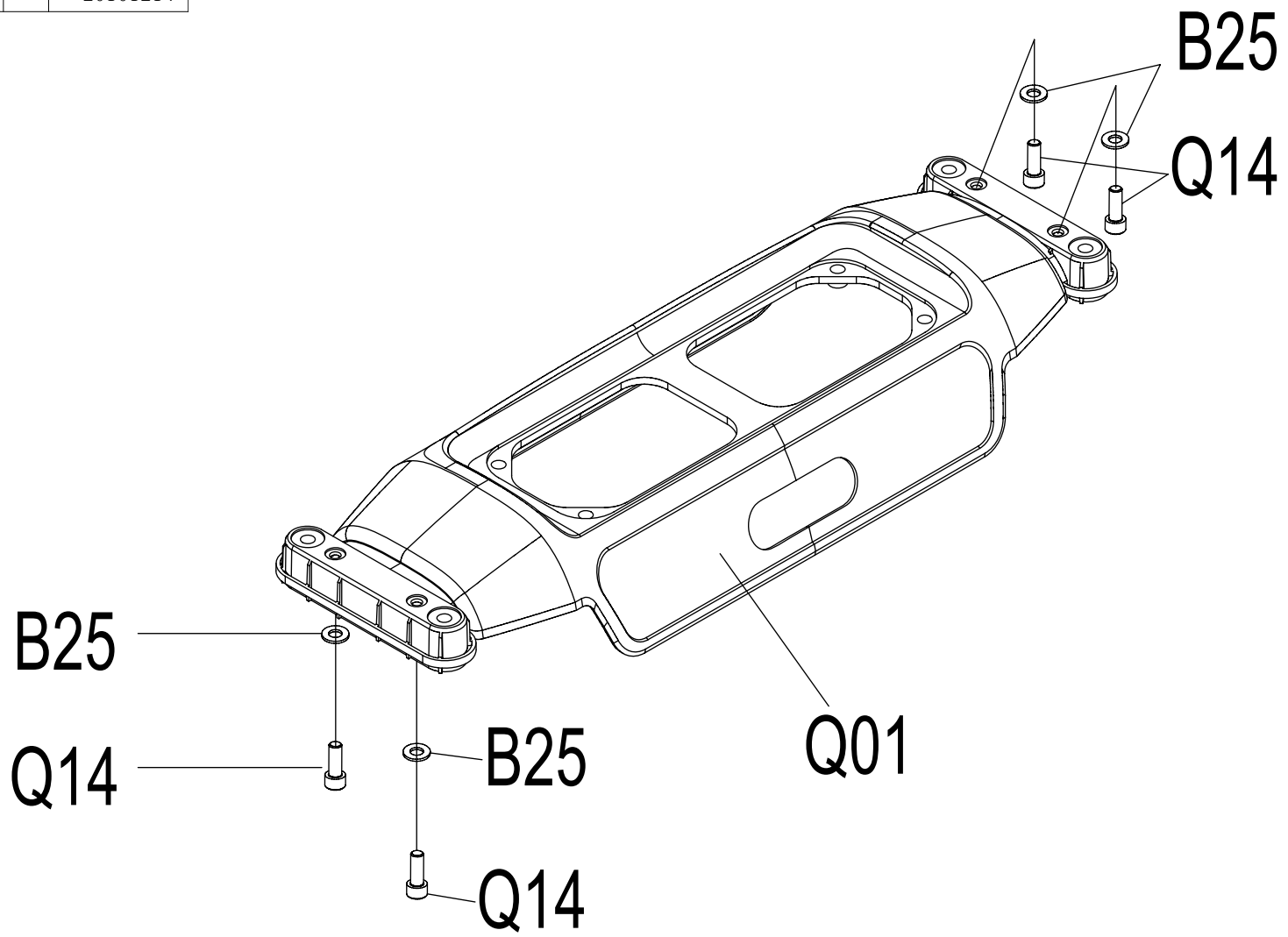
DRAWING NO			
PART NAME	UP Cover;Fixing Frame		
PART NO	1000104015	REV	A
APPROVE	Kevin	DATE	20101214



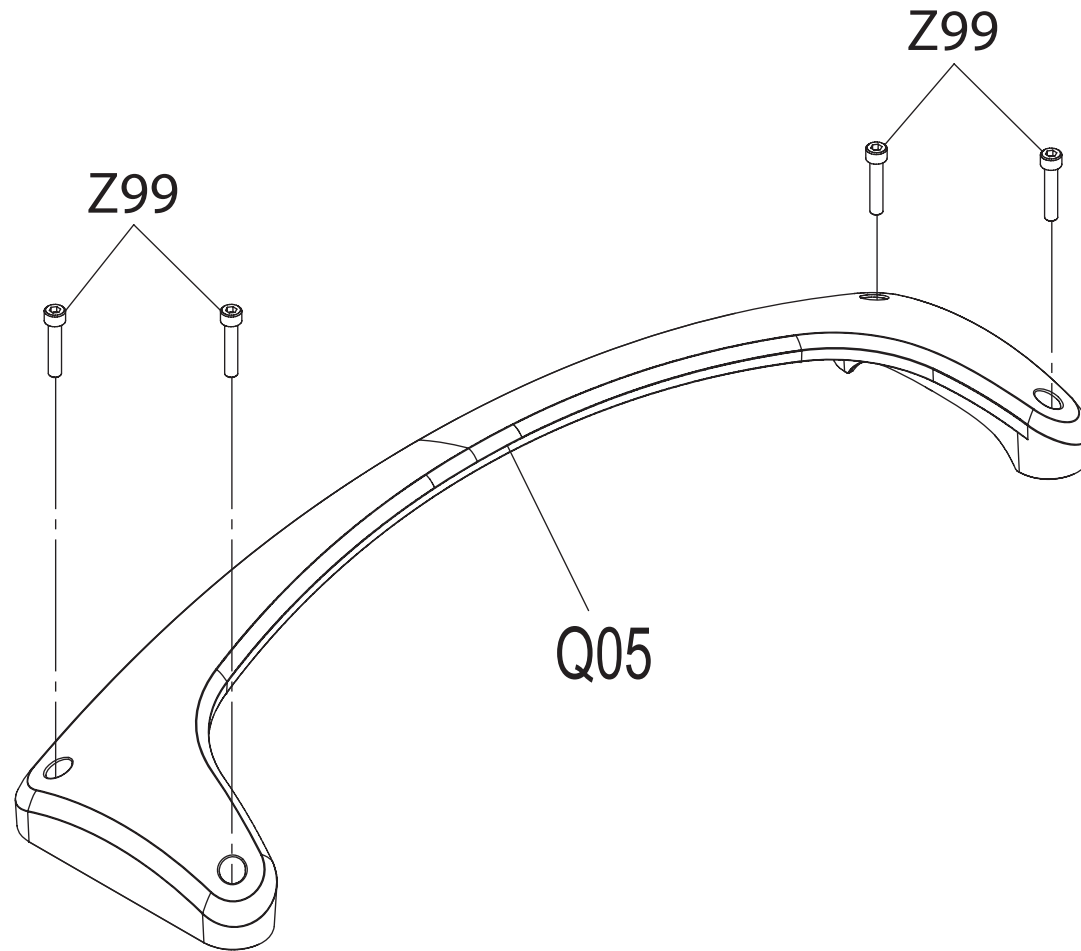
DRAWING NO			
PART NAME	Fixing Base;Slide Pulley		
PART NO	1000108735	REV	A
APPROVE	Kevin	DATE	20101214



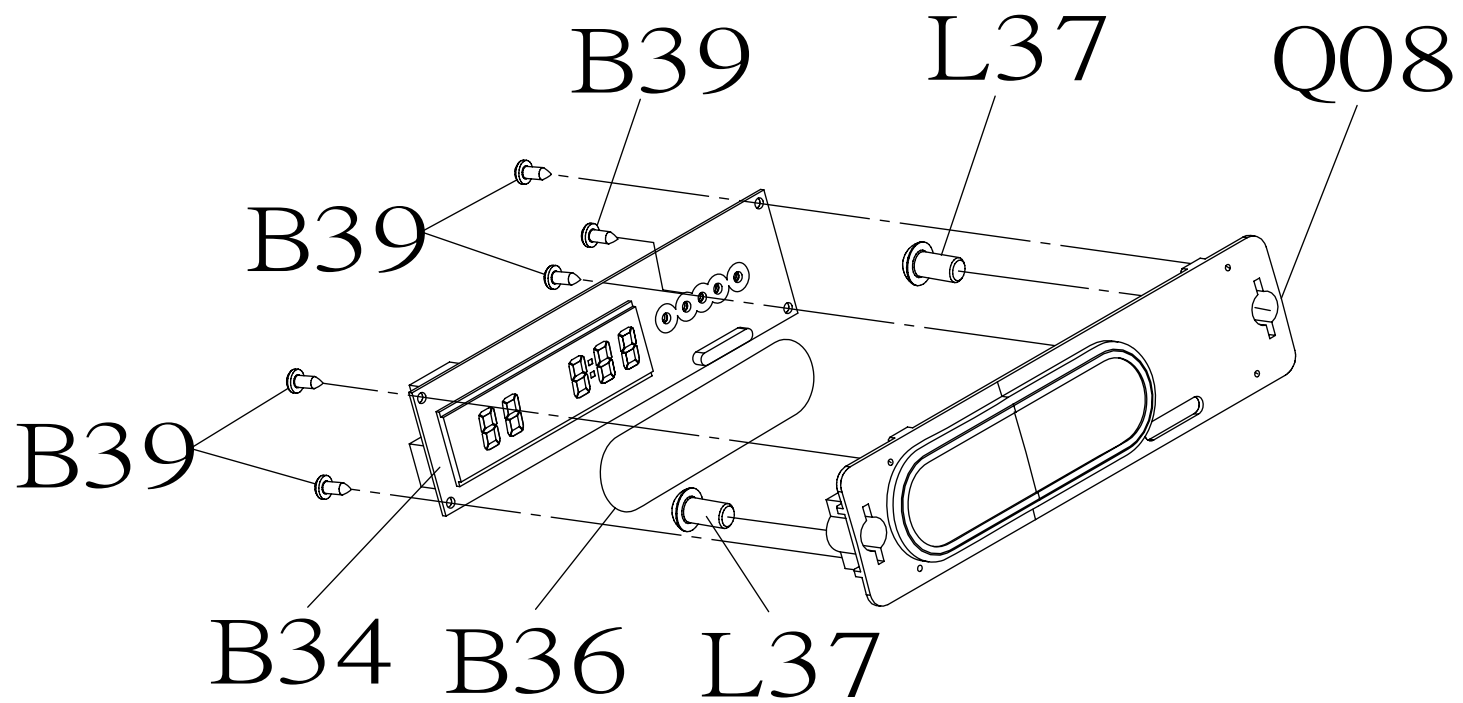
DRAWING NO			
PART NAME	Cover;Up		
PART NO	1000108738	REV	A
APPROVE	GUIBIN	DATE	20101214



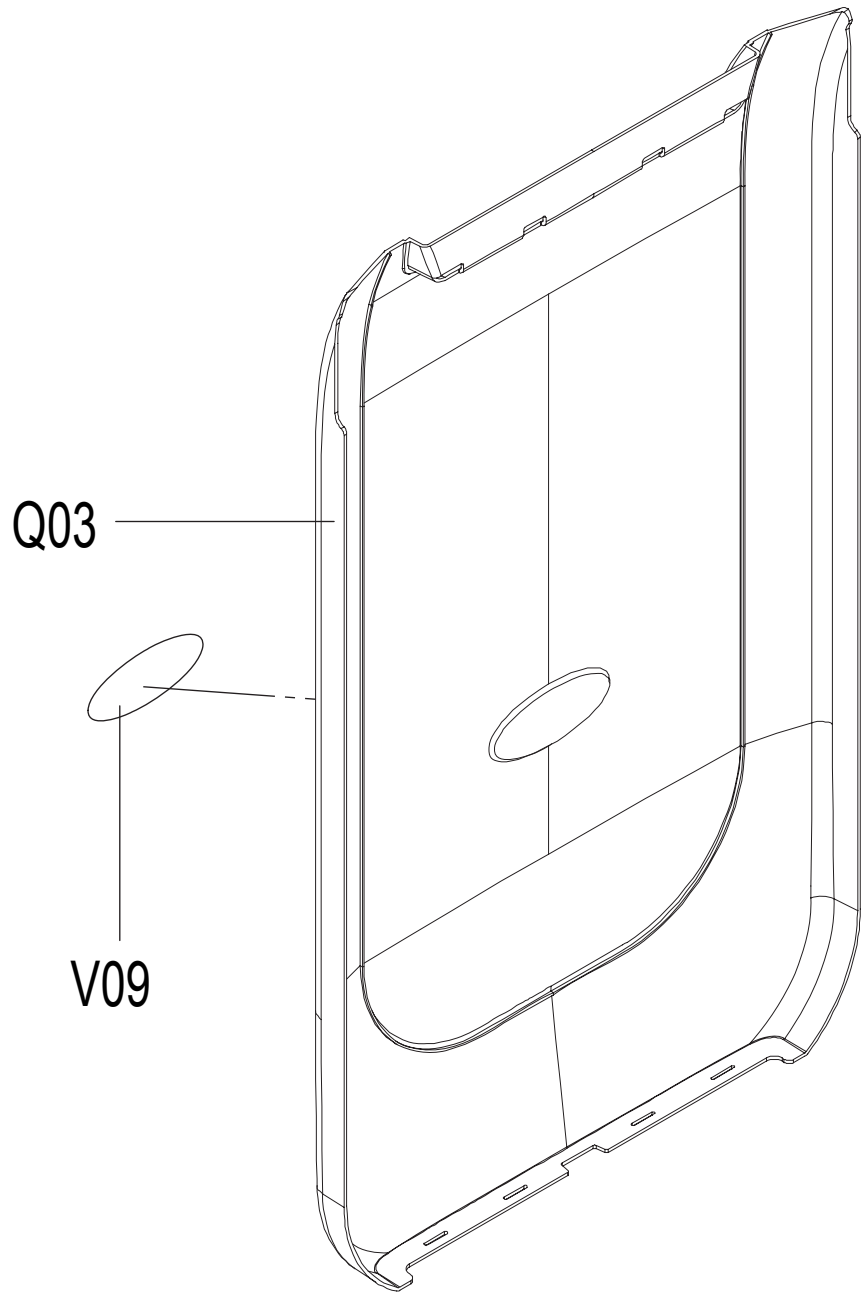
DRAWING NO			
PART NAME	Grip;Up Cover		
PART NO	1000108737	REV	A
APPROVE	GUIBIN	DATE	20101214



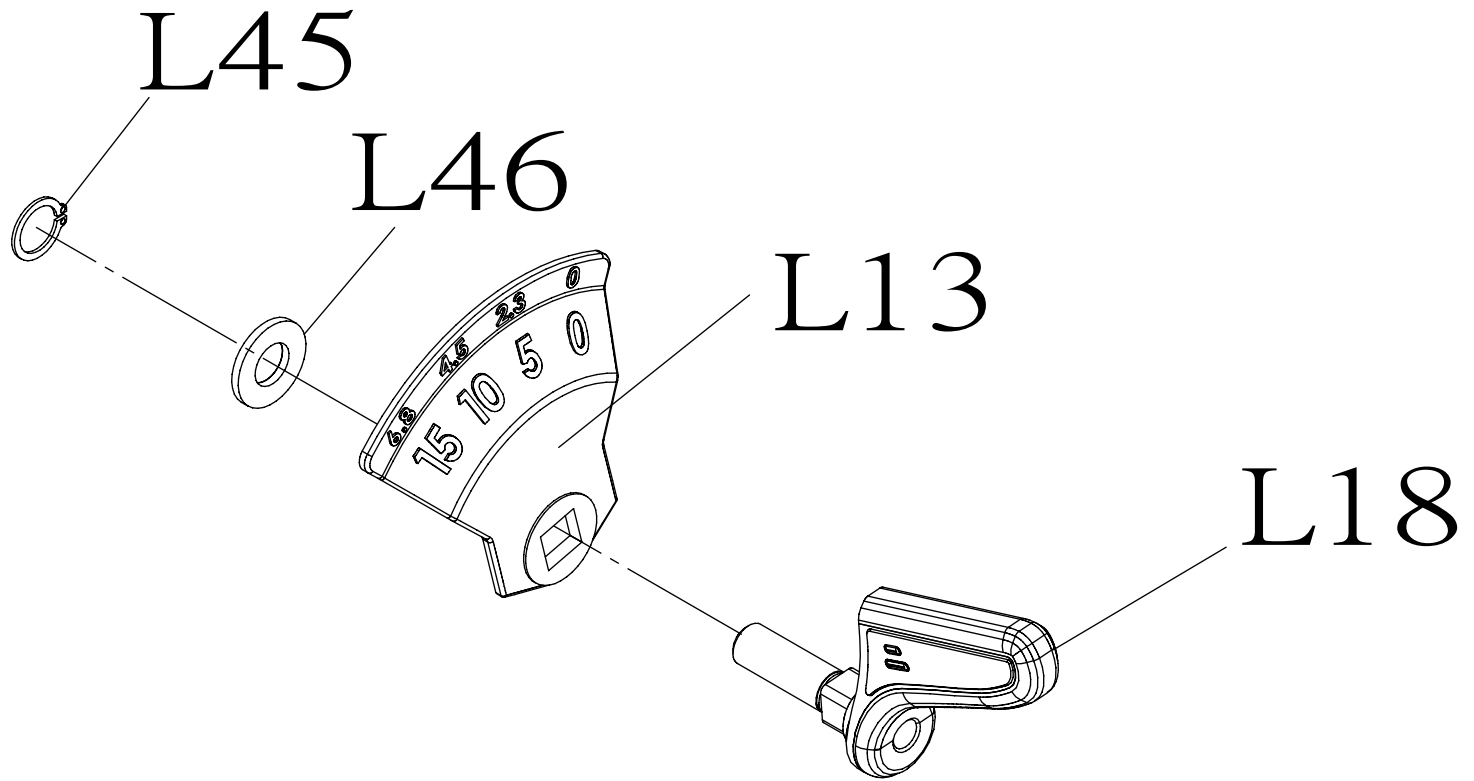
DRAWING NO			
PART NAME	Fixing Base		
PART NO	1000108347	REV	A
APPROVE	GUIBIN	DATE	20101214



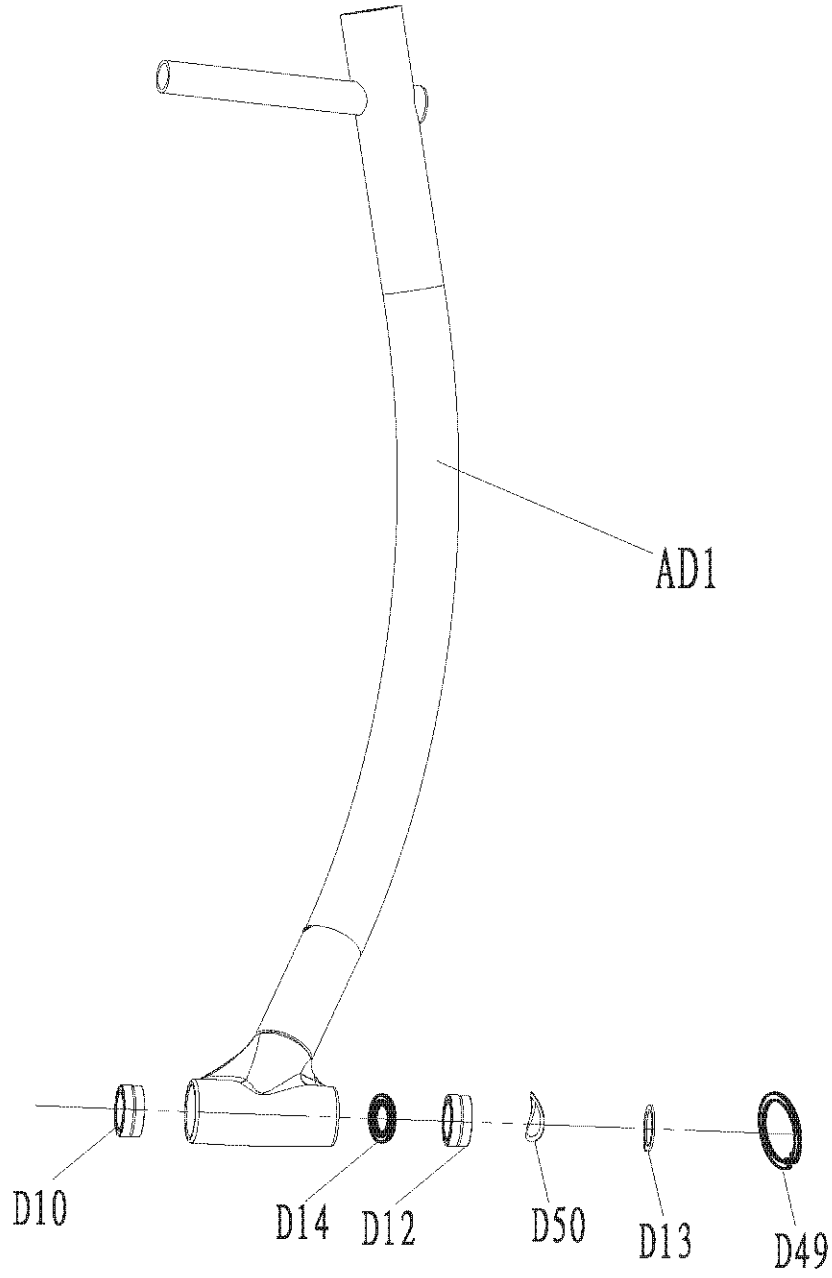
DRAWING NO			
PART NAME	Cover;Rear		
PART NO	1000108343	REV	A
APPROVE	GUIBIN	DATE	20101214



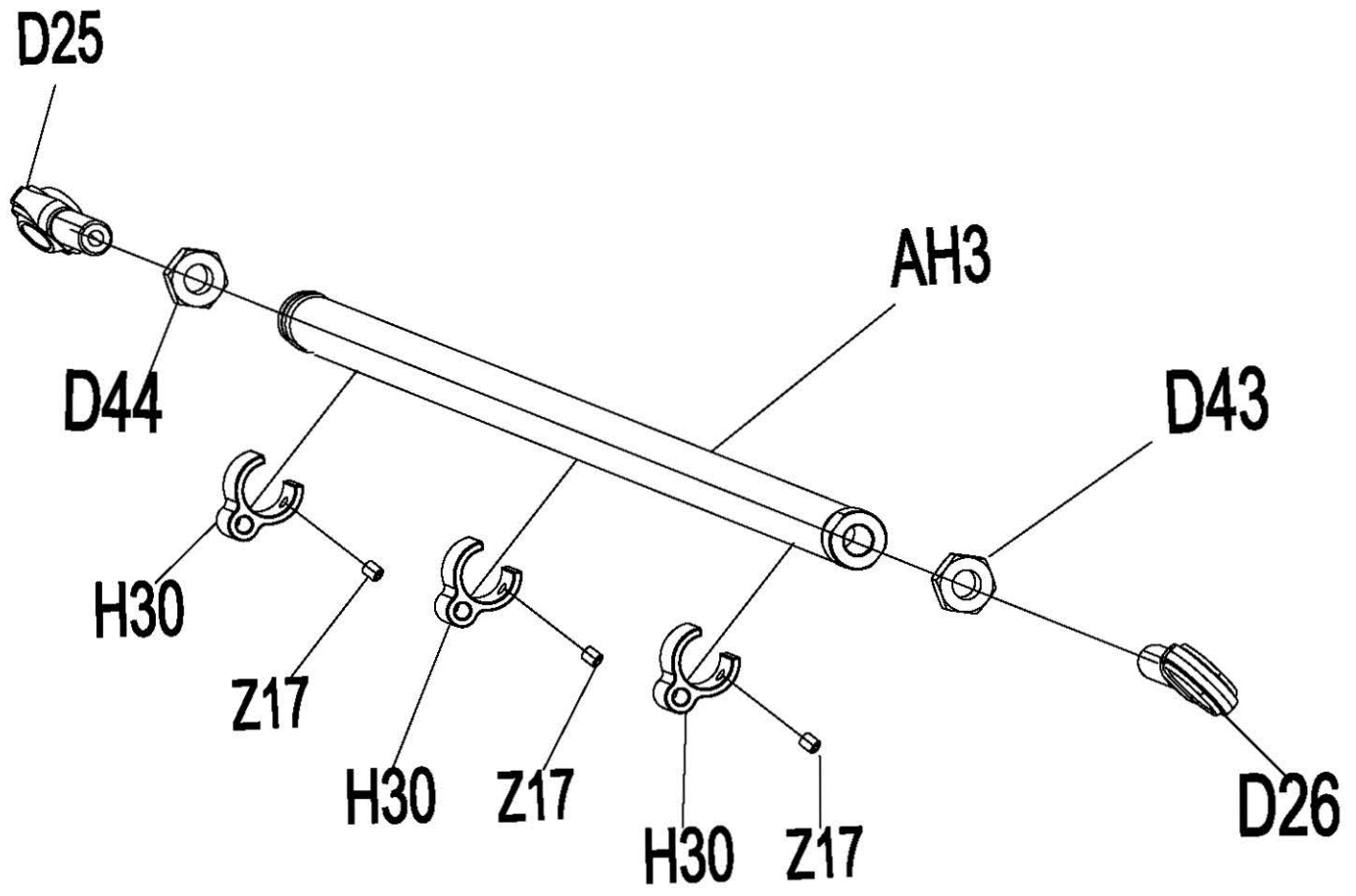
DRAWING NO			
PART NAME	Dial		
PART NO	1000108344	REV	A
APPROVE	Kevin	DATE	20101214



PART NAME	Peadal Arm Set;Left;		
PART NO	096239	REV	A
APPROVE	GUIBIN	DATE	20101214

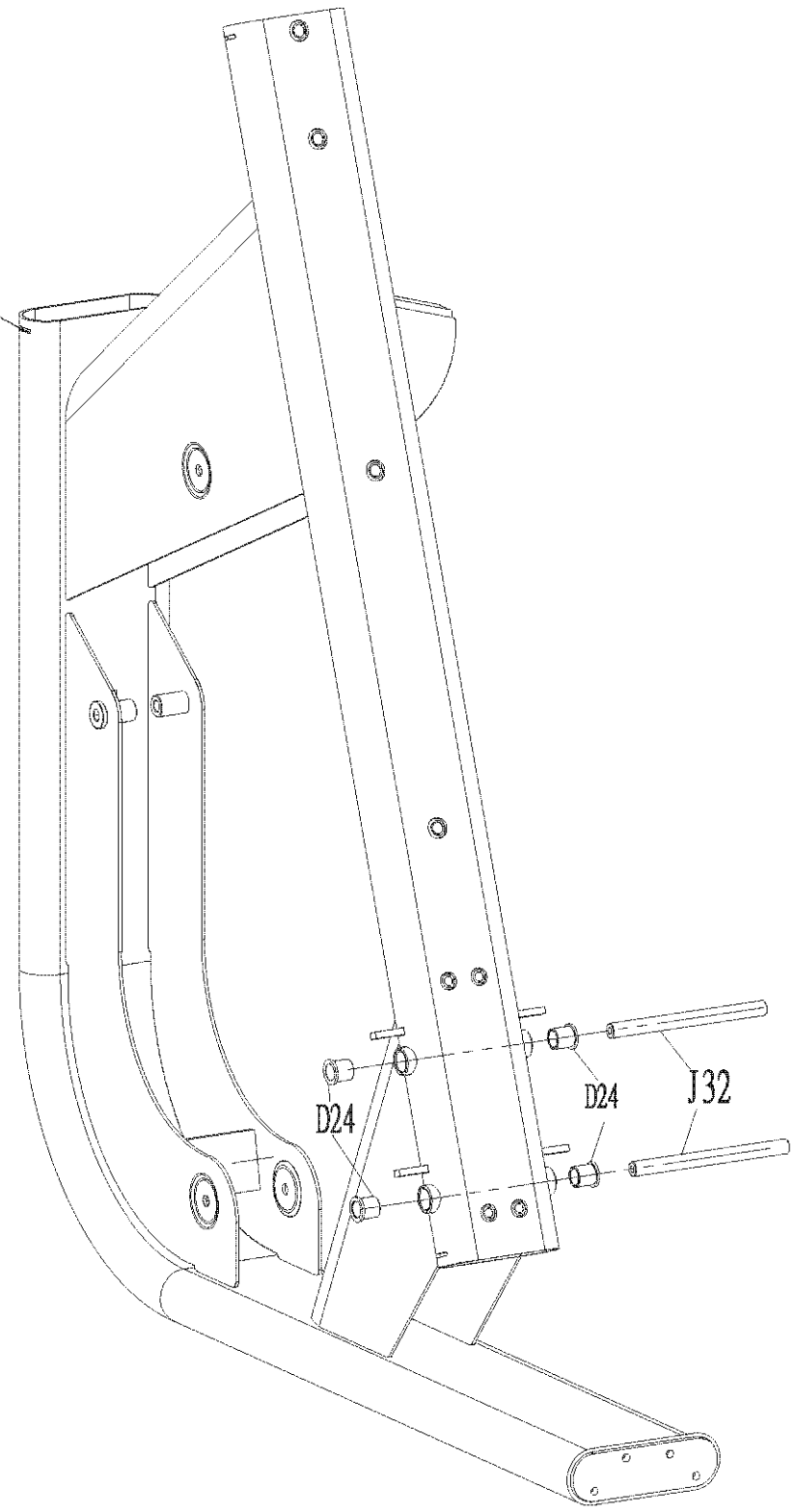


DRAWING NO			
PART NAME	Con Rod Peadal Arm		
PART NO	1000213858		
APPROVE	GUIBIN	DATE	20101214

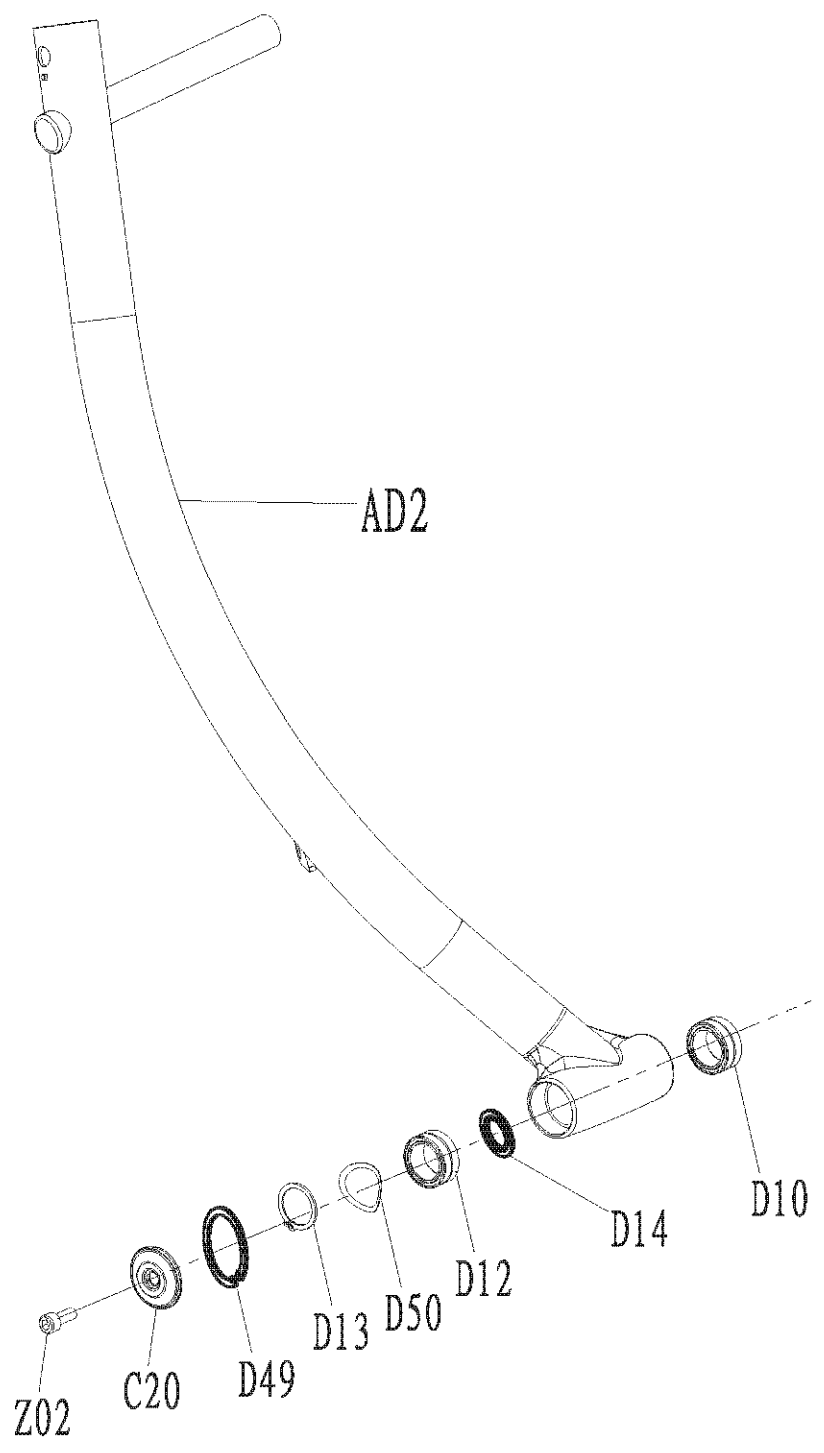


DRAWING NO			
PART NAME	User frame set;SA		
PART NO	1000213857	REV	A
APPROVE	GUIBIN	DATE	20101214

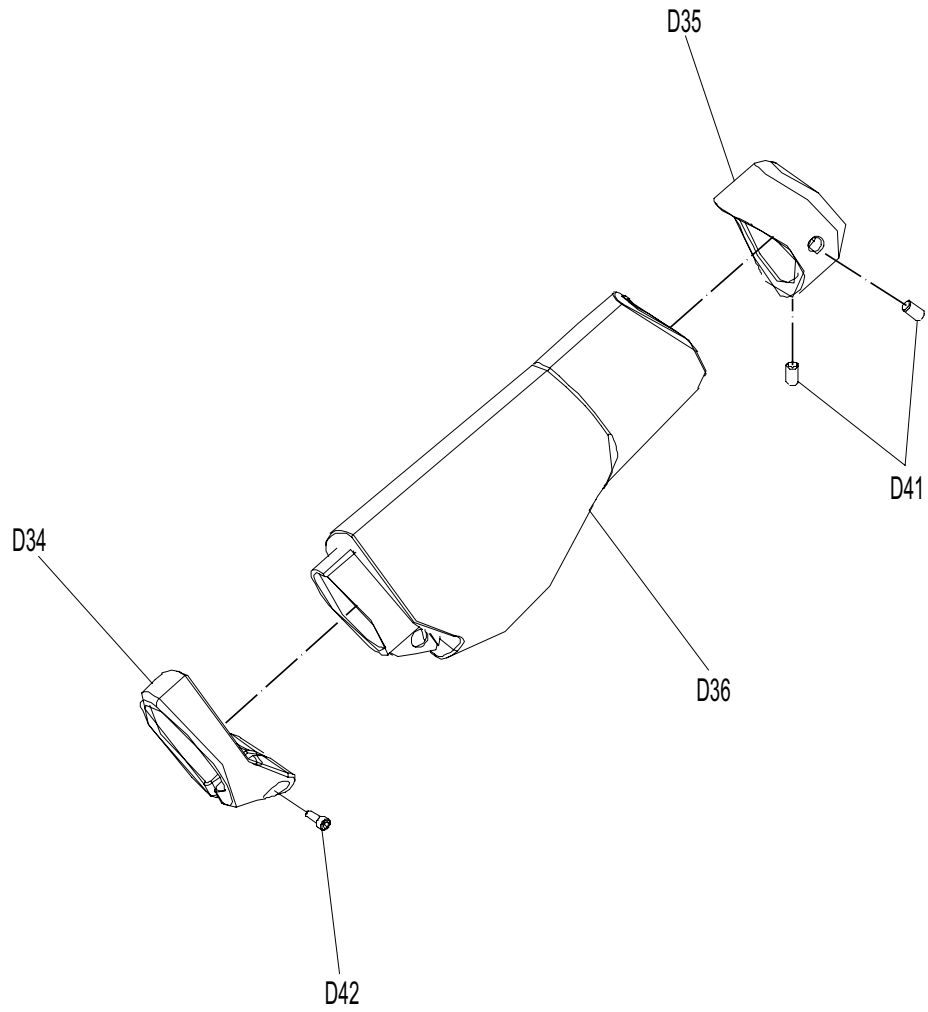
AC1



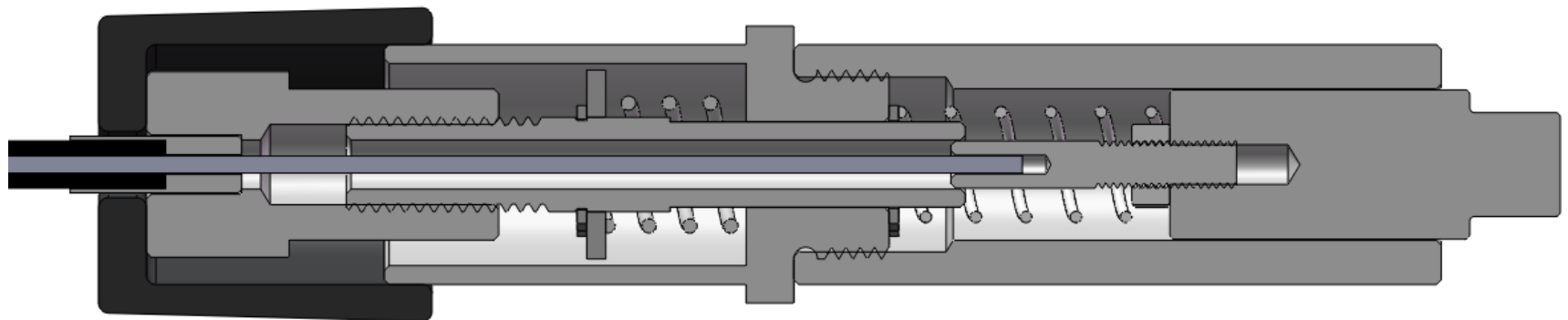
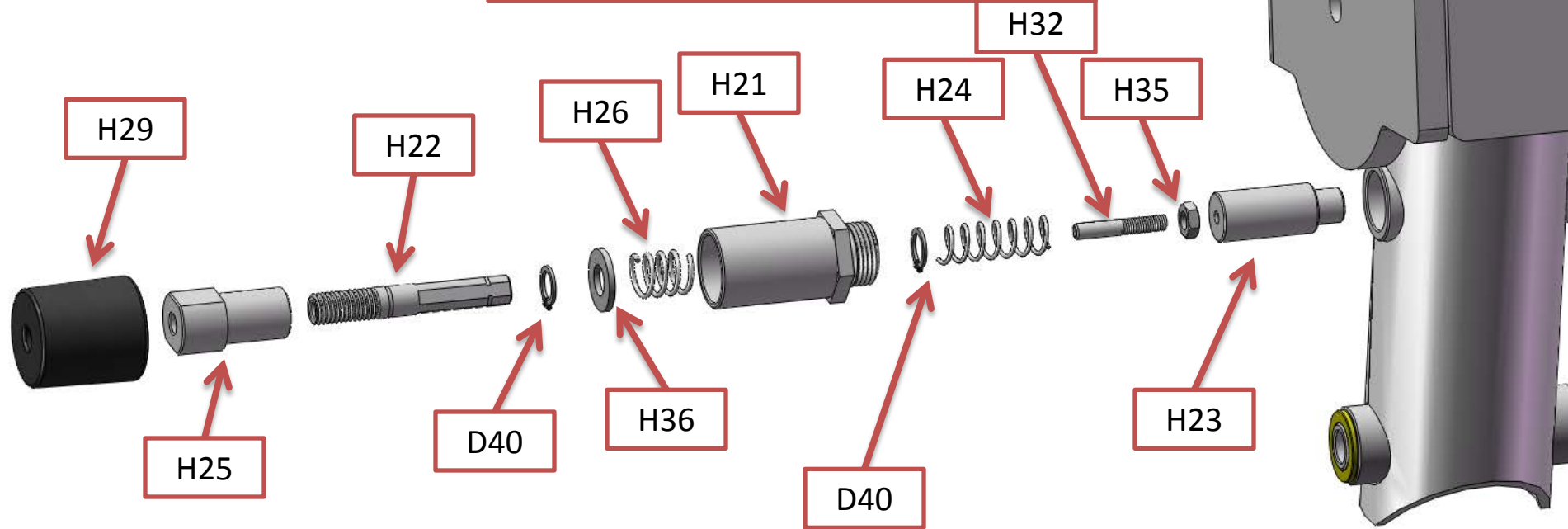
DRAWING NO			
PART NAME	Peadal Arm Set;Right;		
PART NO	096240	REV	A
APPROVE	GUIBIN	DATE	20101214



DRAWING NO			
PART NAME	Grip;Peadal Arm;Over Mold		
PART NO	1000108342	REV	A
APPROVE	Bonnie	DATE	20101227



H32 is part of replacement cable assembly. It is crimped onto the bare end of the cable.



Bubble #	OEM Number	Description	Notes
-	1000211723	Short User Kit	see ECR#2733
11	1000320906	pedal arm set left Iced Sliver GM41-KM	
12	1000320907	Link Set Iced Sliver GM41-KM Service	
13	1000320908	Base Set Iced Sliver GM41-KM Service	
14	96240	Arm Set Right GM41-KM	
15	1000108342	Grip Set	
2	1000108348	Accent Plate Set D PP GM40(service)	
3	1000319463	Down Cover Set Fixing Frame Iced Sliver	
4	1000319468	Upper Cover Set Fixing Frame Iced Slive	
5	1000108735	Double Pulley Frame Set GM40-K	
6	1000108693	Upper Cover Set Weight Stack ABS GM40(service)-5	Includes decals (V11 & V12)
8	1000108347	Repetition Counter Set PC GM40(service)	
9	1000108343	Weight Stack Shield Rear ABS GM40(service)	
AC18	1000359766	Pedal Arm Assembly Rendering GM41	Upgraded arm. Used in production on units 1504 and later. Retrofittable for older models. See the service bulletin Arm Structure Upgrade.
AD3	1000112963	Grip Arm Adjustment GM41	
AD4	96103	Stopper Set ADJ Axle Painting GM41	
AF1	1000319498	Cam Fixing Set Iced Sliver GM40-KM Se	
AG1	1000320909	Link Tube Set up Iced Sliver GM41-KM S	
AG2	1000319412	ConnectingTube D painting Iced Sliver	
AH1	1000320913	Adjustment Tube Set Pedal Arm Iced Sliv	Upgraded swing arm. Also order parts 1000341631, 1000320911, and hardware Z42, H66, J40, and D61. See bulletin "Swing Arm ROM Plate".
AH1	1000104032	Swivel Tube Set DISPLAY WELD GM41	

AH2	1000216460	Swivel Frame Set D PAINTING SERVICE	Needed if long bolt is present on the unit (reworks to 1 bolt from each side), and also ship H27 and hardware.
AJ1	1000319503	Seat ADJ Set Down Iced Sliver GM40-KM	
AJ2	1000211102	Seat Grip Set	
AL3	1000204186	Top Weight Plate Set	
AL4	1000092654	ADJ Base Three Incremental Weight Plate	
B13	98978	Fixing Plate Pulley Right SPHC GM40	
B15	98970	Fixing Block Pulley SPHC GM40	
B16	1000108501	Bushing CON Rod Peadel Arm painting GM40	
B20	73572	Pulley 90mm	
B21	004719-AB	Screw BH M8X1.25PX12L HS CHM G12.9	
B22	020465-AB	Washer Flat M10.2X25PX2.0T Chromed	
B23	004929-00	Nut Nylon M8x1.25P Chromed	
B24	020096-00	Screw Hex Socket Round M8x1.25Px15L Chromed	
B25	005145-AC	Washer Flat 8.2x19.0x2.0T Chromed	
B26	004929-00	Nut Nylon M8x1.25P Chromed	
B27	1000105174	Nut Nylon M10x1.5P G12.9 CHM	
B28	1000103438	Screw Cross BH Tapped 4x10L A Class ke	
B29	1000103438	Screw Cross BH Tapped 4x10L A Class ke	
B30	020465-AB	Washer Flat M10.2X25PX2.0T Chromed	
B31	020112-A	Screw Hex Socket Round M10x1.5Px50L(Tooth15)	
B32	1000096026	Fixing Base Sensor ABS GM40	
B33	1000096531	Speed Sensor Wire 1200mm(2.5-5P) GM40	
B35	1000108796	Screw RND M10x1.5Px55L HS CHM BP G12.9	
B36	1000096575	Overlay Manipulate GM40	
B37	004870-00	Screw Plain Tapping Rail Lock 5x15L	
B38	040816-A	Screw Phillip BH Tapped 3x8L	
B39	020196-A	Screw Phillip BH Tapped 3x6L Zn-BL	
B40	1000105174	Nut Nylon M10x1.5P G12.9 CHM	

B42	1000105068	RVN HX NKHS-10 YZN	
B51	73573	Pulley 115mm	
B58	1000319392	Stopper Pulley painting Iced Sliver GM	
B62	005811-00	Cable Tie Nylon Black 160L	
B66	001679-00	Tie Strap Adhesive Nylon 66 HC-101 W	
C15	1000104027	Fixing Plate Base GM40	
C16	99065	Cap ABS GM40	
C17	1000098050	Pulley Cover Small Base ABS GM40	
C20	1000098051	Bearing Cover Base ABS GM40	
C21	028632-AB	Screw Hex Socket Round M10x1.5Px45L Cr	
C23	1000096013	Cap Two ABS GM40	
C24	1000098049	Pulley Cover Big Base ABS GM40	
C31	1000108799	Screw RND M8x1.25Px25L HS CHM BP G8.8	
C33	1000105202	Screw RND CHM M10x1.5Px110L-15L HS G12.9	
C36	005017-00	Washer Spring SW10 10.2X18.4X2.5T Chromed	
C38	1000104669	Screw FH M6x1.0Px25L HS CST CHM 8.8Class	
C40	99030	ADJ Plate Seat ZG20 GM40	
C50	1000105069	RVN HX NHS-610-3.0 YZN	
C51	90440	Stopper BlockRubber GM30	
C80	005017-00	Washer Spring SW10 10.2X18.4X2.5T Chromed	
D10	1000096395	Bearing Needle NKI35/20	
D11	1000093096	Axle Fixing 20# GM41	
D12	004078-A2	Ball Bearing 6005ZZ Z25XZ47X12T TPI	
D13	1000104682	Circlip External C Type S-25 BAN	
D14	1000091026	Ring GM41	
D23	1000097422	Fixing Sleeve Rubber Steel Cable GM41	
D24	1000096014	Bushing 15x19x20T GM40	
D25	1000093119	Bearing Rod End Left THREAD(EXTERNAL) M12 G	See service bulletin "Improved End Bearings".
D26	1000093120	Bearing Rod End Right THREAD(EXTERNAL) M12 G	See service bulletin "Improved End Bearings".

D27	1000096996	Cap Three PP GM40	
D34	96214	Fixing Ring ADC12 GM40	
D35	96215	Cap Cover Grip ADC12 GM40	
D36	1000110802	Grip Pedal Arm wrap rubber GM40-KM	
D37	1000098628	Bushing 12x18x12L GM41	
D38	96108	Swivel Axle ADJ Grip GM41	
D40	1000230001	Snap Ring External S-10	
D41	004855-AC	Set Screw M6X1.0PX4L	
D42	1000108801	Screw RND M5x0.8Px15L HS CHM BP G8.8	
D43	1000096510	Nut HX M12X1.75P SS41 CHM	
D44	1000096511	Nut HX M12X1.75P SS41 CHM LEFT KNOB	
D45	100442	Fixing Plate ADJ Grip GM41	
D46	1000111351	Handle Adj Grip GM41-KM	
D47	1000102861	Screw Hex Socket Round M6x1.0Px25L Cr Pl	
D49	1000102913	Circlip Internal C Type R-47 BED	
D50	005219-00	Washer Wavy 26.0x35.0x0.3T	
D51	96260	Stopper Tube Swivel Arm GM41	
D56	1000201046	Washer FLT 4.3X8X0.8T SPHC CHM NA	
D61	1000314399	Axle Swivel Arm 45# Chrome GM42	See bulletin "Swing Arm ROM Plate".
F05	1000110445	Cam Small VHMWPE GM41	
F06	1000319402	Steel Rope Stopper Plate painting Ice	
F08	1000104036	Steel Rope A Exrta-Work Steel Rope Head	
F09	1000213950	Steel Rope SERVICE GM41-KM	
F11	1000306124	Cam Steel Rope Big VHMWPE GM41	
F13	020479-A	Washer Flat 10.2x22.0x2.0T Chromed	
F14	1000105072	Washer WW 65Mn BAN 15.5x22.5x0.3t	
F15	1000096016	Inner C type Clamp 15 GM40	
F19	1000212388	Fixing Plate Cable Head- 45# BED GM40	
F34	1000321630	Snug Plate Cam painting Flat Black GM4	
F40	004072-A2	Ball Bearing Flywheel 6002ZZ	
G08	1000096017	Rubber Pad Fixing GM40	

H21	96109	Axle Sleeve Pin Peadal ADJ 20# GM41	
H22	1000093102	Fixing Axle Peadal Arm ADJ 20# GM41	
H23	1000093101	Axle Peadal Arm ADJ 42CrMo GM41	
H24	1000097423	Spring ZNC LONG GM41	
H25	1000093100	Axle Tao Peadal Arm ADJ 20# GM41	
H26	1000097424	Spring ZNC SHORT GM41	
H27	1000214495	Axle, CENTRAL 20 WZN ADJUSTABLE	If the unit has 1 through bolt instead of 2 bolts (1 from each side), also ship AH2 and hardware.
H28	1000104035	Steel Cable ADJ Exrta-work GM41	
H29	1000096396	Sleeve ADJ Axle ABS GM41	
H30	1000097484	Clamp Brake Cable ABS GM41	
H32	1000104035	Steel Cable ADJ Exrta-work GM41	Part of H28 cable
H33	001523-E	Rubber Stop CAM	
H34	1000099579	Screw SH M8X1.25PX12L HS CHM BP	
H35	1000098853	Nut HX M5X0.8P SS41 CHM	
H36	020478-AC	Washer Flat 10.2X20.0X2.0T Chromed	
H37	1000098705	Bushing 26x20x20L GM41	
H38	99006	Axle Seat ADJ 42CrMo GM40	
H40	1000200891	Screw SH 8XM6X41L MT HS G12.9 CHM	
H66	1000364336	SLEEVE FIX GM41	See bulletin "Swing Arm ROM Plate".
J13	99035	Axle Pull Pin 42CrMo GM40	
J14	99036	Axle Sleeve Pull Pin 42CrMo GM40	
J18	1000108460	CON Rod Seat ADJ ADC12 GM40(service)3	
J20	1000092642	Spring RCL 4130CrMo Spray teflon GM40	
J21	98972	Spring EXT SWP ZNC GM40	
J28	1000092669	Plastic Cover Back Pad GM40	
J29	1000092670	Plastic Cover Head pad GM40	
J32	96046	Axle CON Rod 45# GM40	
J33	1000097385	Stopper Sleeve CON Rod Axle ABS GM40	

J35	96216	Stopper Sleeve WASHER GM40	
J39	004938-00	Nut Nylon M6X1.0P Chromed	
J39	1000092644	Clamp Inner C type 6 GM40	
J40	1000097850	SCREW SH M8X1.25PX95L HS CHM G12.9	See bulletin "Swing Arm ROM Plate".
J40	056549-AB	Screw SH M8X1.25PX90L HS CHM	Original design
J41	020393-AB	Nut AC M8X1.25P SS41 Chromed	
J43	1000103444	Cover Seat GM40-KM	
J44	005330-00	Tinnamen Nut	
J45	004636-AD	Screw BH 4X15L SM PH CHM POT	
K02	99059	ADJ Rod Weight Plate 20# GM40	
K03	96088	Weight Plate Set 12.5P GM41	
K06	1000096999	Cover Front Rubber Black GM40	
K07	1000200981	Guide Rod Weight plate	
K09	99055	Fixing Block UP Guide Rod 45#GM40	
K12	019151-AA	Rubber Bumper Weight Stack	
K13	1000202352	Cushion Guide Rod	
K14	005377-00	Clamp E-Shaped Ring E-15	
L01	96086	Weight Plate Incremental 3P HT200 GM41	
L03	99053	ADJ Base R Incremental Weight Plate GM40	
L07	99056	U Cover IncrementalWeightPlate 20# GM40	
L12	99052	ADJ Base L Incremental Weight Plate GM40	
L15	1000096167	Axle Sleeve Two Weight Plate Rubber GM40	
L17	99064	Sleeve D IncrementalWeight Plate POM GM4	
L20	1000372592	Adjustable Pin Set Weight plate GM40	
L21	1000096021	Screw SET M10X1.5P	
L30	1000319417	Fixing Rack Counte painting Iced Slive	
L31	1000096022	Magnet Counte GM40	
L32	1000096023	Half-moon Key 20# GM40	
L33	1000108803	Screw RND M5x0.8Px12L HS CHM BP G8.8	
L34	1000108801	Screw RND M5x0.8Px15L HS CHM BP G8.8	
L36	1000108804	Screw BH M5x0.8Px15L HS CHM BP G8.8	

L37	1000104672	Screw BH M5x0.8Px10L HS CST CST CST CHM	
L38	1000104705	Screw RND M6x1.0Px15L HS CHM BP G8.8	
L39	70571	Washer Flat 5.2X10.0X1.5T CHM	
L40	99063	Cover Incremental Weight Plate PC GM40	
L41	004851-00	Set Screw M5x0.8Px5L Cr	
L43	1000092656	Nut HX M10X1.5PX10L SS41 CHM	
L45	1000102910	Circlip External C Type S-12 BED	
L46	1000108910	Washer Flat 12.5x23x1.0t CHM	
Not Shown	1000341631	Retrofit Kit Pedal Arm set Semi-Assy down Old frames	See bulletin "Swing Arm ROM Plate".
Not Shown	1000320911	Fixing Set Pedal Arm down Iced Sliver GM	See bulletin "Swing Arm ROM Plate".
Not Shown	005084-00	Washer Flat 5.3X10.0X1.0T Chromed	
Not Shown	ZMS4003222	Decal, QR, G7-S13 Conv Chest Press	
Not Shown	ZMS4001255	Battery, AA for console	
Not Shown	1000211061	Direction Label SEAT ADJUSTABLE - PC	Attaches to J18.
Q02	98985	Cover Left-Fron limpud ABS GM40	
Q04	98988	Cover Right-Front ABS/PA757 Limpud GM4	
Q05	98986	Grip Up Cover ADC12 GM40	
Q09	1000096025	Decal Plate U GM40	
Q14	1000108805	Screw RND M8x1.25Px20L HS CHM BP G12.9	
V02	1000232600	Warning Label - - - PC - -	
V03	1000206252	Decal Weight Plate 10P GM40	
V09	86226	Nameplate Motor Cover LOGO T5X-02	
V11	1000099778	Illustration Decal Front GM41-KM	
V12	1000099779	Illustration Decal Rear GM41-KM	
V18	020699-A	Rivet 1/8X12.5L	
Z02	1000102863	Screw Hex Socket Round M10x1.5Px15L Cr P	If unit has old through bolt (instead of 2, 1 on each side), also ship H27 and AH2.
Z03	004518-00	Screw SH M10X1.5PX75L HS CHM	
Z04	1000104691	Screw RND M10x1.5Px30L HS G12.9 CHM BP	

Z05	1000105259	Screw Round M10x1.5Px105L Hex Socket G12	
Z06	1000108800	Screw RND M6x1.0Px12L HS CHM BP G10.9	
Z07	004555-AB	Screw Hex Socket Round M10x1.5Px25L Cr A	
Z09	1000098859	Screw Socket Head M6x1.0Px60L Hex Socke	
Z10	1000204046	Washer Flat 6.4X14.0X3.0T Chromed	
Z100	1000319422	Frame Fix Plate painting Iced Sliver	
Z13	004938-00	Nut Nylon M6X1.0P Chromed	
Z15	004938-00	Nut Nylon M6X1.0P Chromed	
Z17	004851-00	Set Screw M5x0.8Px5L Cr	
Z18	004789-AC	Screw BH M10X1.5PX75L HS CHM G12.9	
Z19	1000102584	Screw Hex M10x1.5Px20L Cr Plate G12.9	
Z21	008523-B	Washer Arc M10x28x10.5T SS41	
Z26	005116-00	Washer Flat 25.5X38.0X2.0T Black Zinc	
Z42	1000098859	Screw Socket Head M6x1.0Px60L Hex Socke	See bulletin "Swing Arm ROM Plate".
Z99	020081-00	Screw SH M8X1.25PX60L HS G12.9	
AB1	Part of Kit 1	Weight Stack Frame Set Painting GM41	
AC1	Part of Kit 13	Seat Frame Set Painting GM41	
AD1	Part of Kit 11	Arm Left Painting GM41	
AD2	Part of Kit 14	Arm Right Painting GM41	
AH3	Part of Kit 12	Con Rod Arm GM40	
B10	Part of Kit 3	Down Cover Fixing Frame Painting GM40-KM	
B11	Part of Kit 4	UP Cover Fixing Frame Painting GM40-KM	
B12	Part of Kit 5	Fixing Base Slide Pulley Painting GM40-K	
B17	Part of Kit 2	Fixing Plate D PP GM40	
B34	1000096514	UCB Matrix GM40 H102S1.60	
D32	1000097445	Axle Grip GM40	
H31	96223	Lead Tube 20# GM41	Part of H28 cable.
J25	See Pad Matrix	Head Pad	
J26	See Pad Matrix	Back Pad	
J27	See Pad Matrix	Seat Pad	
J48	See Pad Matrix	Wear Cover	

L13	Part of Kit 10	Dial GM41	
L18	Part of Kit 10	ADJ Grip Incremental Weight Plate GM40-K	
Q01	Part of Kit 6	Cover Up ABS GM40	
Q03	Part of Kit 9	Weight Stack Shield Rear ABS GM40	
Q05	Part of Kit 7	Grip Up Cover ADC12 GM40	
Q08	Part of Kit 8	Fixing Base PC GM40	
1	96091	Weight Stack Frame Set GM41-KM	
1	1000320905	Frame set Iced Sliver GM41-KM Service	Discontinued
10	1000108344	Incremental Weight Pin Set GM41(service) - D/C, NO REPL Part will show as orderable until stock is depleted	Discontinued
11	96239	Arm Set Left GM41-KM	Discontinued
12	1000104031	Connecting Arm Set SA GM41-KM	Discontinued
13	1000213857	Seat Frame Set GM41	Discontinued
3	1000104014	Lower Fixing Plate Weight Stack Shield	Discontinued
4	1000104015	Upper Fixing Plate Weight Stack Shield	Discontinued
7	1000108345	Handle Weight Stack ADC12 GM40(service)	Discontinued - Order components
AD4	1000104034	Stopper Set ADJ Axle Painting GM41	
AF1	1000097563	Cam Frame Set GM40-KM	Discontinued
AG1	1000104030	Upper Connecting Frame Painting	Discontinued
AG2	1000104022	Lower Connecting Frame Set Painting GM40	Discontinued
AJ1	1000097565	Seat Adjustment Frame Set Down Semi-Assy GM40-KM	Discontinued
AL3	1000097566	Top Weight Plate Set GM40	Discontinued
B24	004479-ABX	Screw Hex Socket Round M8x1.25Px15L Cr A	replaced with 020096-00
B25	005040-AB	Washer Flat 8.4X15.5X1.6T	Discontinued
B27	004910-00	Nut NLK M10X1.5P CHM	replaced with 1000105174
B29	004869-00	Screw Phillip Sink Tapped 4x10L	Discontinued
B35	1000108188	Screw HH M10x1.5Px55L MT CST CHM BP G12.	replaced with 1000108796
B58	1000104017	Stopper Plate Pulley Painting GM40	Discontinued

C15	98998	Fixing Plate Base GM40	Discontinued
D12	004078-00	Ball Bearing 6005ZZ 25X47X12T SKF	Discontinued
D40	1000105070	Circlip External C Type S-10 BAN	Discontinued
D40	005358-00	C-Clip External S-10	replaced by 1000105070
F06	1000104020	Stopper Plate Steel Rope Painting GM40-K	Discontinued
F07	1000092663	Screw SH 10XM8X46L HS G8.8 CHM	Discontinued
F11	1000110446	Cam Big VHMWPE GM41	Discontinued
F16	1000212387	Fixing Plate Cable Head - 45# BED GM41	replaced with 1000202036, also order
F34	1000105444	Snug Plate Cam Painting GM44-KM	Discontinued
H32	1000110986	CON Head ADJ Steel Cable GM41-KM	Discontinued - Part of H28 cable
H36	991993-00	Washer FLT 10.2x20x1.5t CHM	
J16	98973	Fixing Block Spring 45# GM40	replaced with 1000202036, if not upgraded to screw also order 004938-00
L20	1000210654	Weight Stack Pin Set GM40	Discontinued
L30	1000104023	Fixing Rack Counte Painting GM40-KM	Discontinued
L38	1000104702	Screw RND M4x0.7Px10L HS G8.8 BAN BP	replaced with 1000102859
L41	062949-B	Limiter Ring Guide Rod	Discontinued
L46	1000105201	Washer FLT 12.5x23x1.5t CHM	Replaced by 1000108910
L50	1000102647	Screw Settle M5x0.8Px6L Top End BED	replace with 004851-00
Q06	ZMS4000950	G7 Cupholder assembly\ D/C, NO REPL: Part will show as orderable until stock is depleted.	Discontinued - This is a kit with Q06 & Q09 assembled. If out of stock, order Q06 (098980) and Q09 (1000096025) separately instead.
V02	99103	Warning Sticker GM40	Discontinued

V07	1000100287	Label AL GM40	Discontinued
Z02	1000108806	Screw RND M10x1.5Px15L HS CHM BP G12.9	Replaced with 1000102863If unit has old through bolt (instead of 2, 1 on each side), also ship H27 and AH2.
Z100	1000104026	Fixing Plate Frame Painting GM40-KM	Discontinued